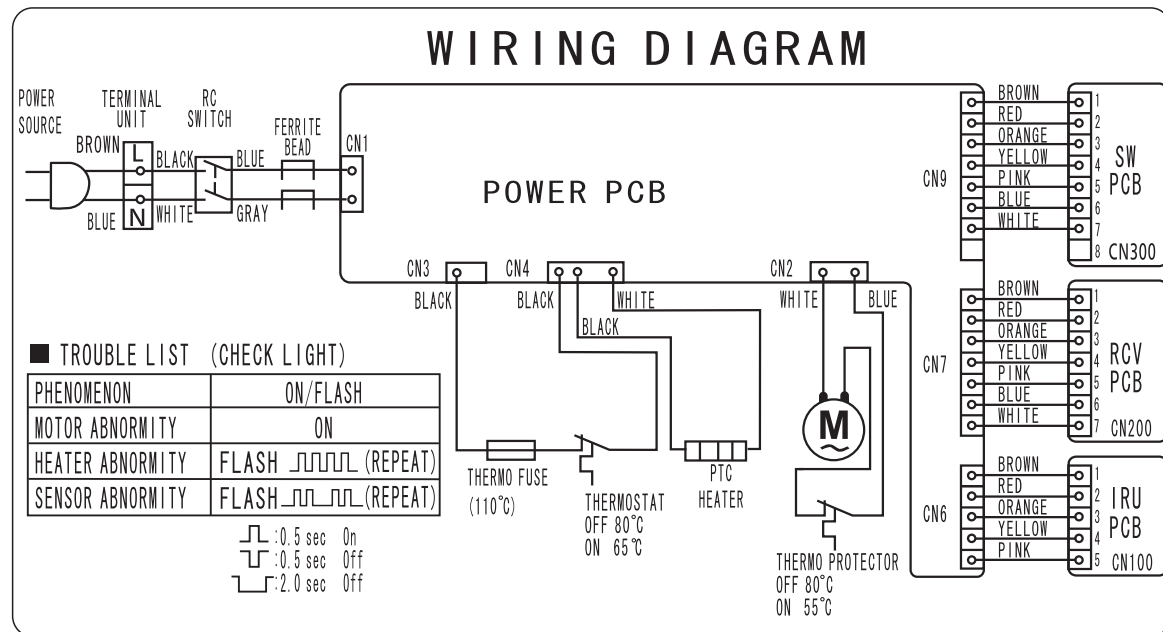


## WIRING DIAGRAM



## SPECIFICATIONS

Model No.	Rated Voltage [V]	Rated Frequency [Hz]	Total Rated Input Power [W]	Rated Current [A]	Power [W]		Current [A]		Net Weight [kg]
					Heater ON	Heater OFF	Heater ON	Heater OFF	
					HI LO	HI LO	HI LO	HI LO	
T10TA	230	60	1250	6	1250 940	800 471	6 5	3.5 3	8

KDK Company, Division of PES  
 Head Office: 4017, Takaki-cho, Kasugai, Aichi, Japan  
 © KDK Company, Division of PES 2013

X1308-0 T10TA8512



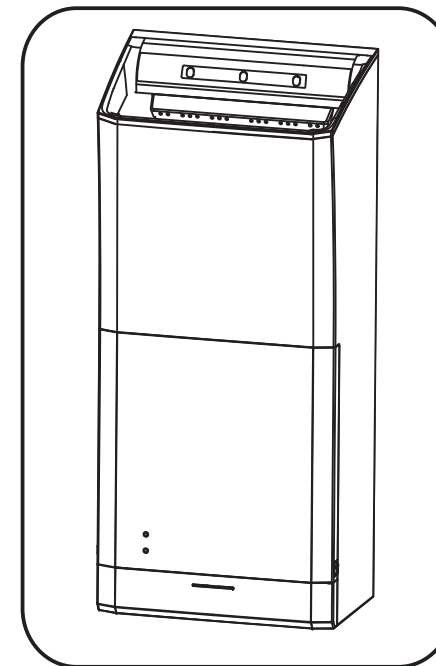
## INSTALLATION INSTRUCTIONS

### Hand Dryer

### Model No. T10TA

#### CONTENTS

SAFETY INSTRUCTIONS	2
INSTALLATION CAUTIONS	2~3
SUPPLIED ACCESSORIES	4
PART NAME AND DIMENSIONS	4~5
HOW TO INSTALL	5~9
HOW TO USE	10~11
PRECAUTIONS IN USE	11~14
MAINTENANCE	15~17
ANTIBACTERIAL FUNCTION	18
TROUBLESHOOTING	19
WIRING DIAGRAM	Back cover
SPECIFICATIONS	Back cover



#### READ AND SAVE THESE INSTRUCTIONS

Thank you for purchasing this KDK product.



Please read these instructions carefully before attempting to install, operate or service the KDK product. Failure to comply with instructions could result in personal injury or property damage.

Please explain to users how to operate and maintain the product after installation, and this booklet should be presented to users. Please retain this booklet for future reference.






## SAFETY INSTRUCTIONS Please observe strictly

The following instructions should be strictly observed in order to prevent injury to the users and other persons, or damage to property.

- The degrees of injury or damage that can occur when the instructions are ignored and if the product is not used properly have been classified and described by the following indications.





	<b>Warning</b>	Those things shown in this column indicate that there is possibility of causing death or severe injury.
	<b>Caution</b>	Those things shown in this column indicate that there is possibility of causing injury to the users or damage.

- Types of instructions that should be observed have been classified and described by the following pictorial symbols.

		This symbol indicates the item is "PROHIBITED" to do.
		This symbol indicates the "COMPULSORY" item that must be followed without failure.
		This symbol indicates the item is "CAUTION" .

## INSTALLATION CAUTIONS

### **Warning**

- |   |  |
|---|--|
| <ul style="list-style-type: none"> <li>■ Do not modify this product.</li> <li> It may cause fire or malfunction, thus resulting in fire disaster or electric shock.</li> <li>■ Do not install this product wherever it may be exposed to flammable gas or objects.</li> <li> It may cause explosion or fire.</li> </ul> | <ul style="list-style-type: none"> <li>■ Be sure to properly install the hand dryer as instructed in this manual.</li> <li> Failure to install properly will result in fire or electric shock.</li> <li>■ Screws of the fixation board shall not connect with any metal that on or inside the wall.</li> <li> Otherwise, short circuit may occur, and thus resulting in fire.</li> </ul> |
|---|--|

## TROUBLESHOOTING

When an error occurs, check according to the following table. If the problem persists, switch the power to [OFF] and contact the customer service center or distributor.

Symptom	Cause	Solution
No air is blown out when hands are put in.	The power may be [OFF].	Turn the power switch [ON].
No air is blown out when hands are put in or the air does not stop when hands are withdrawn.	The sensor may have stains.	Clean the sensor.
	There may be foreign objects within the sensing scope of the sensor.	Remove the foreign objects.
The air is weak.	The air speed switch may be [LO].	Switch to [HI].
No warm air is blown out.	Is the heater switch [OFF]?	Switch to [ON].
The light is not turned on.	Is the light switch [OFF]?	Switch to [ON].
The check LED flash.	The sensor may have stains.	Clean the sensor.
	The sensor may be exposed to strong light, such as direct sunlight.	Keep the sensor away from direct sunlight.
	Heater abnormality	Contact the customer service center or distributor.
The check LED is on.	Motor abnormality	Contact the customer service center or distributor.

## ANTIBACTERIAL FUNCTION

1. Filter of the water tray unit in the hand dryer is capable of antibiosis.  
(Test basis: JIS Z2801:2000)
2. Drying box, drain channel, drain cup and drain cup cover in the main unit are capable of antibiosis.  
(Test basis: JIS Z2801:2000)
3. Along with increase of service time, the above antibacterial function will weaken correspondingly.

## INSTALLATION CAUTIONS

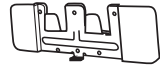


### Warning

- Do not install in outdoor areas or on an exterior wall of a building.
- Make sure the installation is completed by a qualified electrician.
- ⊘ It will cause short circuit, thus resulting in fire or electric shock.
- ⊘ Otherwise, it may cause fire or electric shock.
- Do not install in hot, humid and wet places such as bathroom.
- ⊘ It will cause short circuit, thus resulting in fire or electric shock.

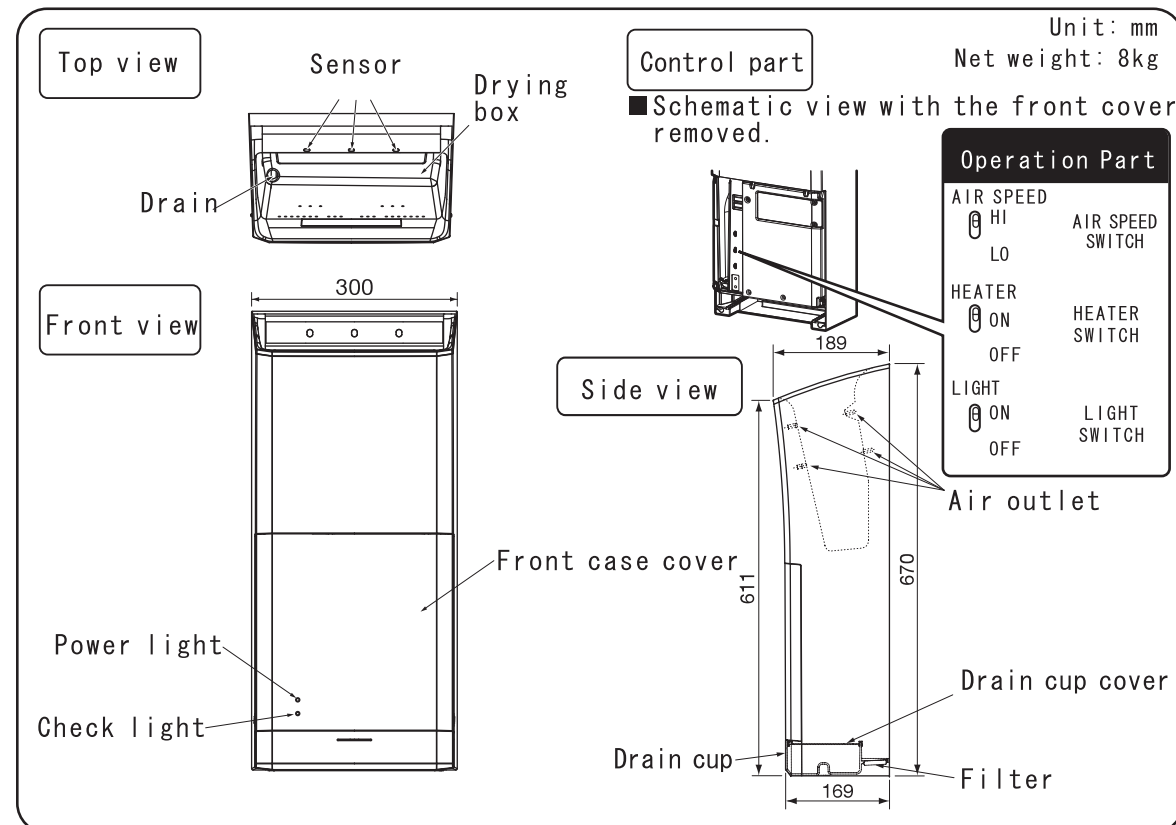
### Caution

- Do not install it on walls without sufficient strength. If you cannot ensure the installation strength, be sure to adopt reinforcement measure. This product weighs 8 kg, and the wall for supporting and installing it shall be capable of bearing 40 kg.
- Do not carry product by holding the drying box.
- ⊘ It may cause injuries or damages.
- ⊘ Otherwise the product falls off, it will cause injuries or damages.
- Product should be installed on smooth wall.
- Be sure to use any special components that are supplied, such as fixation board.
- ⚠ If it is installed on a rugged wall, it will result in different type of usage problems.
- ⚠ If the product falls off, it will cause injuries or damages.

## SUPPLIED ACCESSORIES

Code	Drawing	Name and Purpose	Quantity
①		Fixation board (for suspending the hand dryer)	1
②		Self-tapping screw (ø3.8 x 20 mm, for fixing the fixation board)	5
③		Installation instructions	1

## PART NAME AND DIMENSIONS



## MAINTENANCE

### 6. Clean the hand dryer.

- The drying box, sensor and drain channel should be cleaned once a week. (Fig. 18)

#### ① Turn off the power.

(1) Remove the water tray unit and the front case cover.

(2) Switch the power to [OFF].

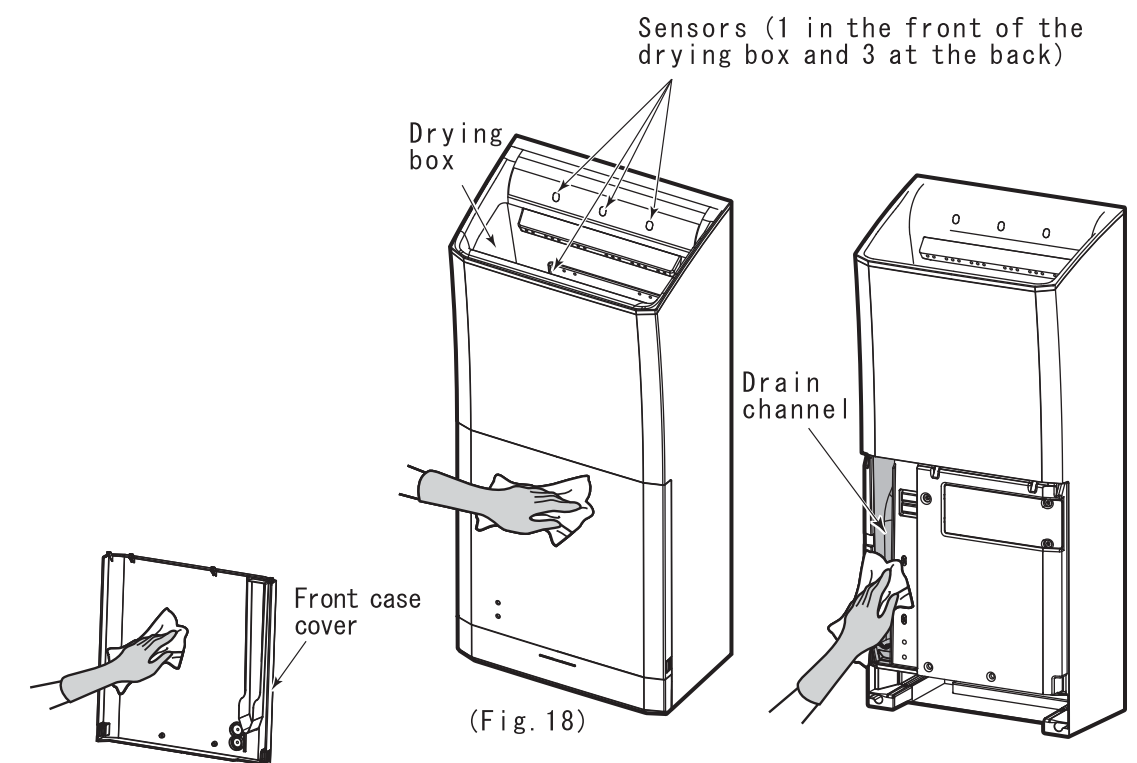
#### ② Clean the hand dryer, drying box, sensor, drain channel and front case cover.

- Dip the soft cloth into warm water or the diluted (neutral) kitchen cleaner, squeeze out the moisture, and then erase the stains.

### Precautions

Do not wash the main unit directly with water.

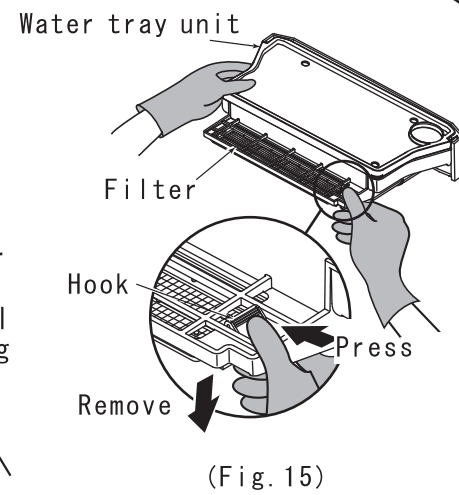
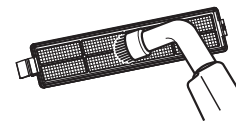
- Do not apply too much force when cleaning the sensor.
- Clean the drain channel with a soft cloth.



## MAINTENANCE

3. Remove the filter from the water tray unit, and suck the dust with vacuum cleaner. (Fig. 15)

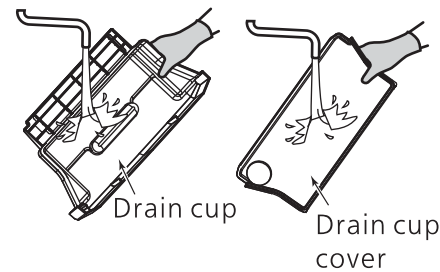
- Do not clean it with water because water will damage the filter's antibacterial property; do not clean it with steel ball or other rigid tools to prevent breaking the filter.



- Do not press the net of the filter forcibly, it may be deformed or damaged.

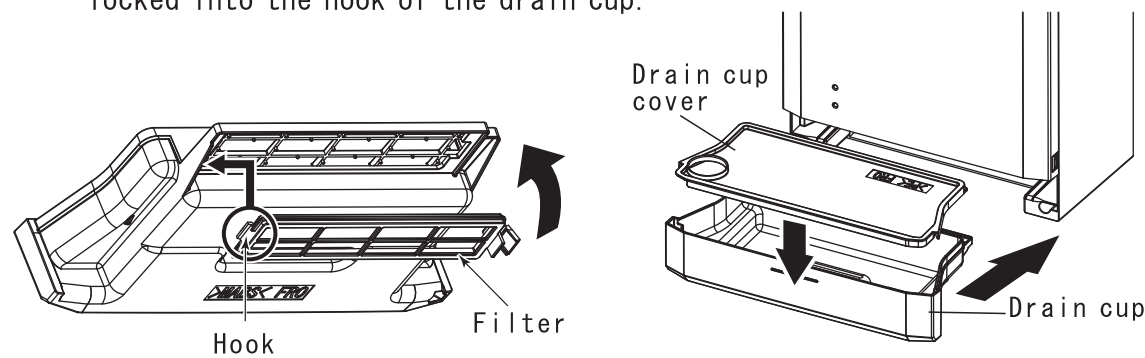
4. Wash the drain cup and the drain cup cover with water. (Fig. 16)

- If it has too much filth, clear it with a soft cloth.
- Sop up the water after cleaning.

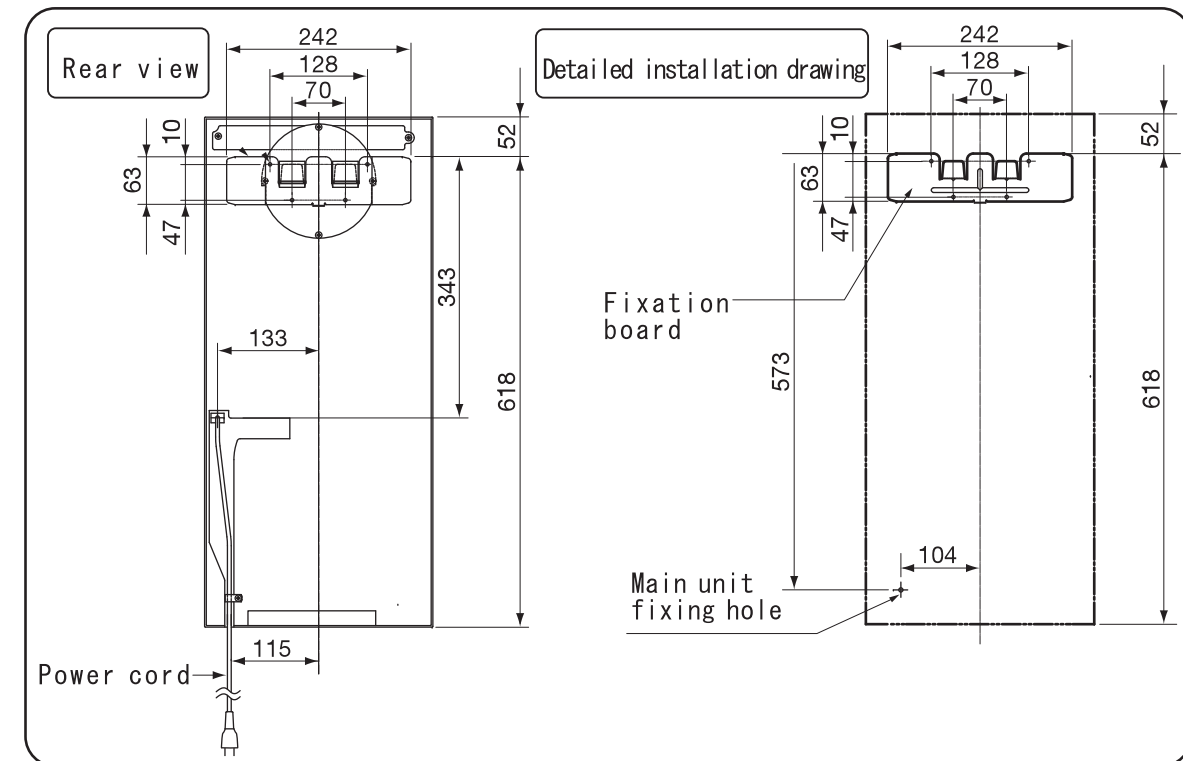


5. Reinstall the water tray unit and the filter, and put them back into the main unit. (Fig. 17)

- Make sure the hook of the filter is locked into the hook of the drain cup.



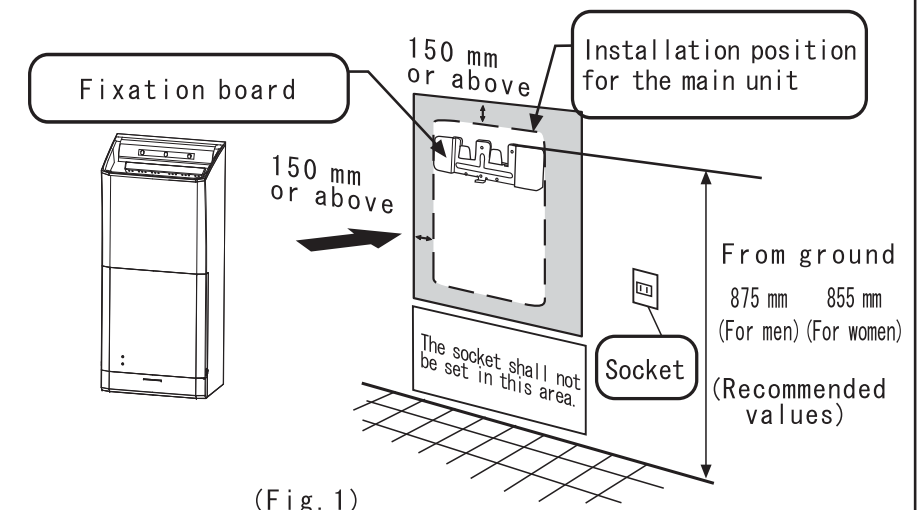
## PART NAME AND DIMENSIONS



## HOW TO INSTALL

### 1. Preparations

① Choose an appropriate installation position (Fig. 1)



(1) Installation position for the fixation board plate shall be secure and reliable. Try to choose an erective wall if possible, and make sure the main unit installation position and its surrounding should keep blank space 150mm or above.

## HOW TO INSTALL

(2) Recommended installation heights from ground to the upper end of the fixation board are listed in the following table:

For men	875 mm
For women	855 mm

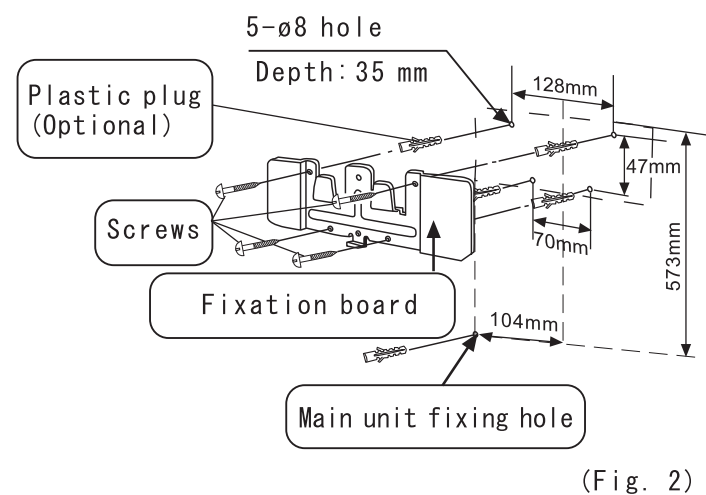
※ If shared by men and women, the height for women is suggested.

### Precautions

- ① Please follow the [Installation Safety Instructions] strictly during installation (see Page 2~3 for details). As shown in the above figure, be sure to leave a gap of 150 mm or above between the hand dryer and the lateral wall or the combustibles. Meanwhile, leave some space on both sides of the Hand Dryer, and make sure it is not besieged by walls or any other objects.
- ② Avoid installing in places where people might bump into the Hand Dryer or it will be hit by door.
- ③ Do not set the socket in places where it may be splashed with water. (If the socket is set under the hand dryer, the water spilt while cleaning the water tray unit may splash onto the socket.)

## 2. Main unit installation

- ① Install the fixation board with the screws (4 pcs) supplied in the accessory kit (Fig. 2).



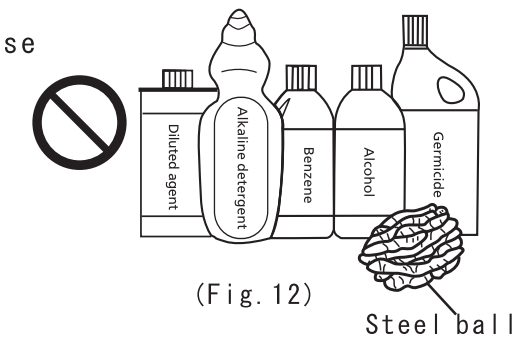
## MAINTENANCE

### Precautions in Cleaning:

1. To protect the hand dryer against discoloring and rapid aging, do not use diluents, alkaline cleaners, benzene, alcohol, fungicides or steel ball, etc. as shown below. (Fig. 12)

2. If use chemical rags, follow the use instructions to clean the product.

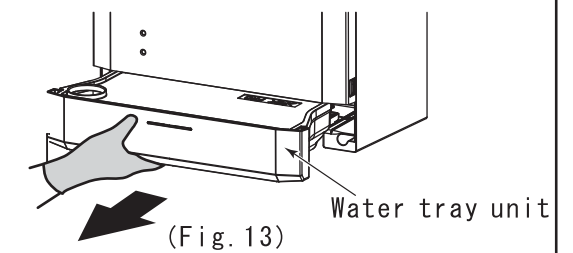
3. If the filter is jammed, the air volume will be reduced, thus affecting the drying effect.



4. The water tray unit shall be cleaned at least once a week.

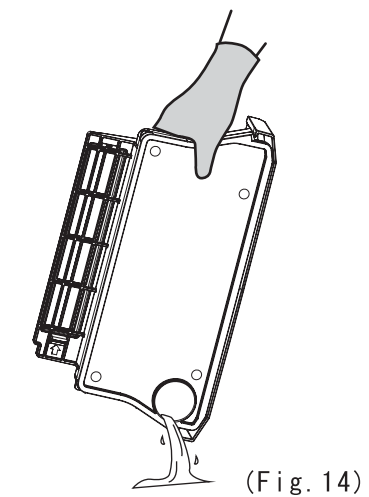
### Cleaning steps:

1. Pull the water tray unit out from the main unit. (Fig. 13)



- Pull out the water tray unit horizontally and slowly. If you apply too much force or tilt, the water may splash out and wet the filter.

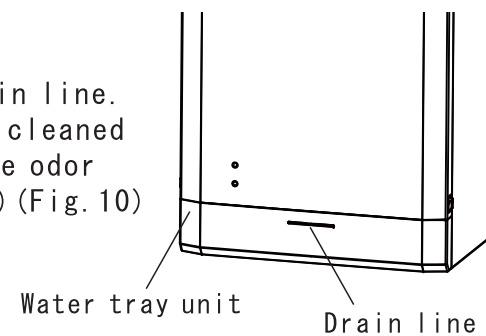
2. Empty the water in the water tray unit. (Fig. 14)



## PRECAUTIONS IN USE

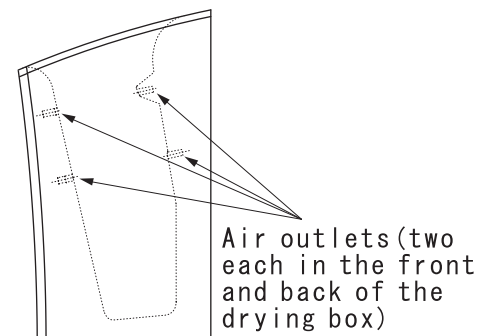
### PRECAUTIONS

1. Water in the water tray unit must be discharged before exceeding the drain line. (If the water tray unit has not been cleaned for a long time, the water may produce odor and may spill out to wet the ground.) (Fig. 10)



(Fig. 10)

2. Do not block the air outlet. (Fig. 11)



(Fig. 11)

3. Avoid chemicals contact with the hand dryer.

4. Do not place or operate a radio nearby the hand dryer. Electromagnetic wave will be produced by the hand dryer which will affect the radio's reception.

5. Do not install the unit in the following places:

- Places below 0°C
- Places above 40°C
- Places exposed to direct sunlight and strong light
- Outdoors
- Places where water may be spilled over it
- Dusty places

## HOW TO INSTALL

- ◆ Install it on a concrete wall.

- (1) Choose a position on the wall for installing the fixation board, and confirm the position of the hook on the main unit. (There are totally 6 installation holes, but you just need to use 4.) (Fig. 2)

- (2) Drill the bottom holes with impact drill on the wall, insert the plastic plugs (Optional), and fix the fixation board with screws.

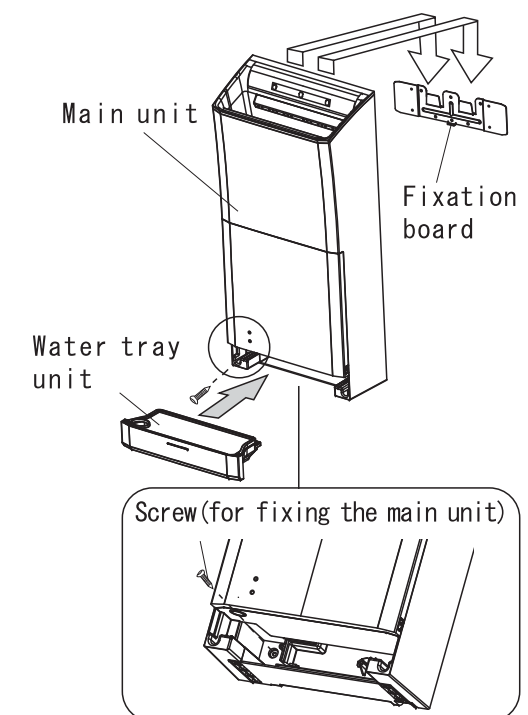
- ② Hang the main unit on the fixation board, and tighten the screw to fix the main unit. (Fig. 3)

- (1) Pull out the water tray unit under the main unit.

- (2) Hang the main unit on the fixation board.

- (3) Fix the main unit on the wall with the supplied screw.

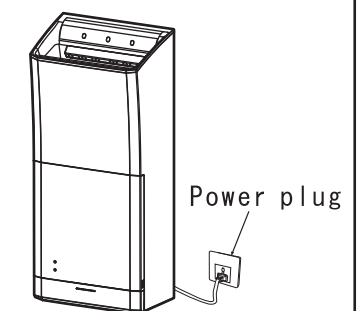
- (4) Install the water tray unit back into the main unit.



(Fig. 3)

### 3. Settings before use

- ① Insert the power plug into the socket. (Fig. 4)  
Bundle up the over long power cord and keep it at a proper place.



(Fig. 4)

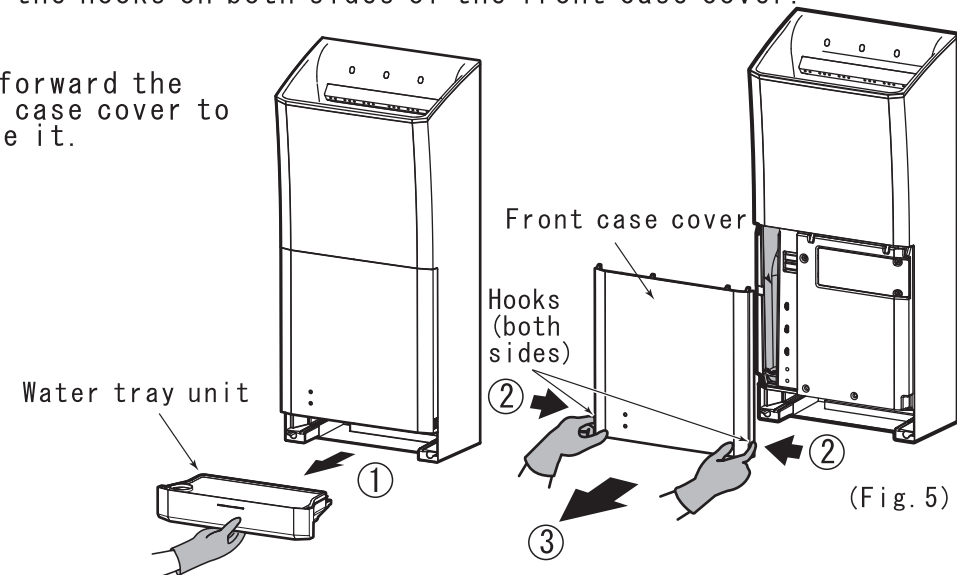
## HOW TO INSTALL

### ② Remove the front case cover. (Fig. 5)

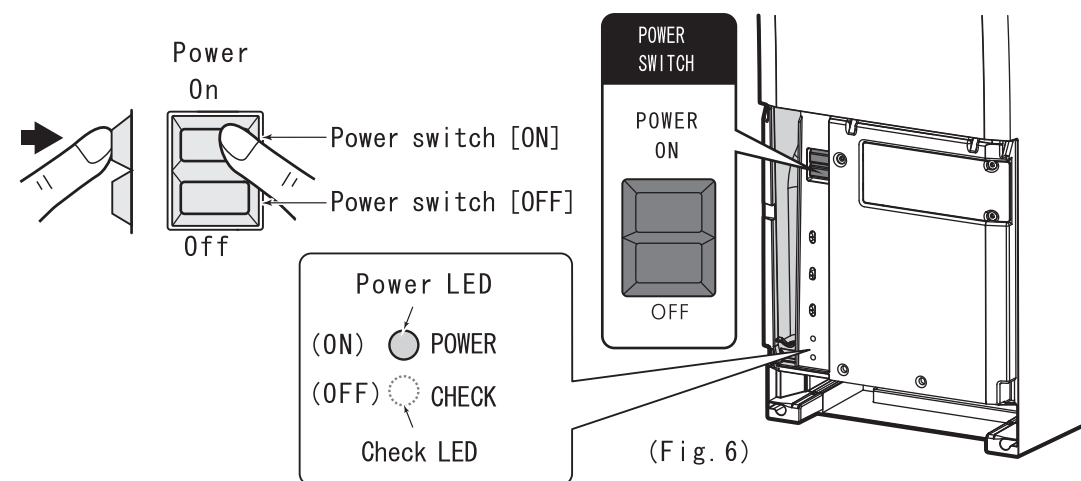
(1) Pull forward the water tray unit to remove it.

(2) Press the hooks on both sides of the front case cover.

(3) Pull forward the front case cover to remove it.



### ③ Press the power [ON] button. The power LED lights ON. (Fig. 6)



#### Warning

- When the main unit fails or functions abnormal, the check LED lights ON or flash. (Please check at P19 TROUBLESHOOTING)

#### Check LED (normal)

(ON) ● POWER  
(OFF) ○ CHECK

#### Check LED (abnormal)

(ON) ● POWER  
(ON or flash) ✨ CHECK

## PRECAUTIONS IN USE

### ⚠ Caution

- Do not hang or get on to the product.
- Do not block the air outlet of the hand dryer with hands.
- ⊘ The hand dryer cannot bear the weight and may fall down, thus resulting in injury.
- ⊘ Hot air may cause hand injury.
- A statement to the effect that when the product is no longer to be used, it must not be left in the place but removed, to prevent it from possible falling.
- If it has not been used for a long time, pull out the plug.
- ⚠ In case of falling down, it may cause injury.
- ⚠ Insulation degradation may cause electric shock or electric leakage.
- Wear gloves when cleaning the hand dryer to prevent accidental injury.
- Do not install the hand dryer in places exposed to direct sunlight.
- ⚠ Otherwise it may cause injury.
- ⊘ It may cause malfunction.
- This product shall not be maintained or used by people who are disabled, mentally handicapped, insane or lack of experience and common sense (including children), unless under guidance or instruction of people who are responsible for their safety.
- ⚠ During maintenance, children shall be tended in case they play the product as a toy.



## PRECAUTIONS IN USE

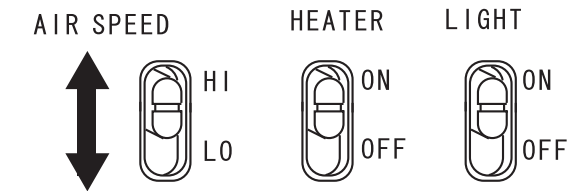
### Warning

- Be sure to unplug the power first before cleaning.
- When disconnecting the power plug, hold the plug instead of the power cord.
- ⚠ Otherwise, it may cause injury or electric shock.
- ⚠ Otherwise, the power cord may be damaged or broken, thus resulting in electric shock or fire.
- The power plug must be connected properly. Make sure it is completely inserted and tightly fitted with the socket.
- ⚠ If the power plug is not completely inserted into the socket, the sparks produced when the unit is powered on may cause electric shock or fire.
- When the power cord is damaged, be sure to ask a specialist from special repair shops or similar departments to replace it.
- Do not attempt any actions that may damage the power cord or the power plug (for example, scraping, modifying or rough dragging).
- ⚠ Otherwise, it may cause electric shock, short circuit or fire.
- ⊘ Using a damaged power cord or power plug may cause electric shock, short circuit or fire.
- Do not use this product near combustibles (paraffin oil, petrol and diluent, etc.).
- Do not wash the product directly with water.
- ⊘ Otherwise, it may cause explosion or fire.
- ⊘ Otherwise, it may cause short circuit, fire or electric shock.
- Do not insert the power plug into the socket with wet hands.
- Do not insert any foreign objects (such as nails, needles or other metal items) into the air outlet or other orifices.
- ⊘ Otherwise, it may cause electric shock.
- ⊘ Otherwise, it may cause electric shock.
- Socket's rated voltage and current should be 230V~,15A.
- ⊘ Possibility of causing fire.

## HOW TO INSTALL

### 4. Settings of air speed, heater and light

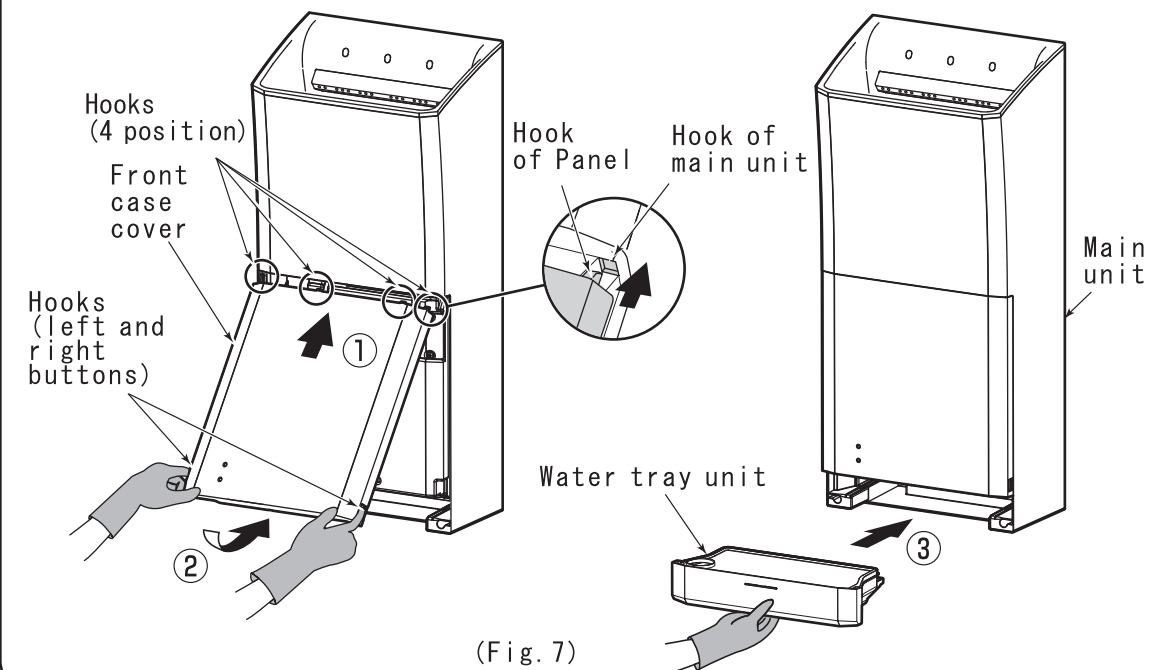
- Generally, the air speed is set to [HI], the heater to [ON], and the light to [ON].



- If you think the operation sound is too loud, switch the air speed to [LO].
- If you do not need warm air, switch the heater to [OFF].
- If you do not need the light in the drying box, switch the light to [OFF].

### 5. Install the front case cover

- ① Insert the hooks (4 position) of the front case cover into the main unit. (Fig. 7)
- ② Fix the front case cover onto the main unit.
- ③ Install the water tray unit back into the main unit.

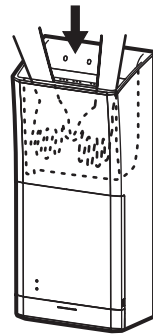


(Fig. 7)

## HOW TO USE

### 1. Stretch your hands into the bottom of the drying box quickly (Fig. 8).

- Light of the drying box turns on, and there is air coming out from the air outlet.
- If you slowly stretch your hands in, there may be some water drop splashed out.



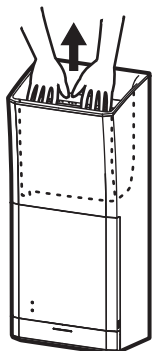
(Fig. 8)

#### About the light (blue LED)

- After the product has been running for about 5 seconds, the light (blue LED) of the drying box flash, which means the drying is almost completed. After the product has been running for about 20 seconds, the light flash quickly. After the product has been running for about 30 seconds, the product will stop running automatically. (to prevent risks caused by continuous running of the product due to improper use).
- The light (blue LED) goes off automatically after the product has not been used for 20 minutes.
- If you want to keep the light (blue LED) on "OFF", set the light switch to [OFF].

### 2. Withdraw your hands slowly, and the air will dry the water. (Fig. 9)

- Generally repeat two or three times and the water will be blown dry.



(Fig. 9)

## HOW TO USE

### Precautions

1. After the unit has been running for about 30 seconds, the function for preventing improper use is enabled, and the product will stop running automatically. (Before operation stops, the light in the drying box flash quickly.) If you need to continue using it, move away your hands first, and then stretch them into the drying box again to restart it.
2. Even though it is not in use, if the power switch is [ON], there will be 1 W power consumption when the light is on, and 0.8 W when it is off.
3. If there are any foreign objects within the sensing scope of the sensor, its function for preventing improper use will be enabled, and it will not start even when you put your hands into it. In this case, remove the foreign objects.
4. If there are stains on the surface of the sensor, it may be unable to sense properly or out of order. In this case, clean the sensor. (There are one sensor in the front of the drying box and three sensors in the back.)
5. If the hand dryer has not been used for a long time under low temperature, it will blow out some cold air at the beginning even when the heater is [ON].

## PRECAUTIONS IN USE

### Warning

- Do not attempt to disassemble the hand dryer for repair or modification by yourself.

- Remove the dust on the power plug regularly.



Otherwise, it may cause fire or malfunction, thus resulting in fire disaster or electric shock.



If the power plug is dampened or covered with dust, the insulating property may be undermined, and it is likely to cause fire.